

The power behind your lights



Model: JLV-12060KB Size: 148.6\*102.4\*48mm



**Brief Information**

**Powermax™**  
Technology Inside

**60W**

**Rainproof Power Supply (C.V.)**

Model JLV-12060KB

Input 170~250V AC

Output 12V DC 5A 60W

**Product Features**

- Rainproof, big wattage for outdoor use
- High transfer efficiency
- Wide input range
- Stable constant voltage output
- 100% full loading, 100% burn-in tested
- Overload/short circuit protection

**MAIN ELECTRICAL DATA**

**AC Input**

Input Voltage	170~250V
Input Frequency	50/60Hz
Efficiency (Typ.)	83%
Input Current	230V: 0.5A max.
Inrush Current	40A
Leakage Current	5mA/230VAC

**DC Output**

Output Voltage	12V
Rated Current	5A
Rated Power	60W
Ripple & Noise (Max.)	<200mVp-p
Setup, Rise Time	1500ms/230VAC
Line Regulation	2%
Load Regulation	2%

**Service Environment**

Working Temp.	-25°C~50°C
Working Humidity	20~90%RH
Storage Temp.	-40°C~80°C
Storage Humidity	10~95%RH

**Protection**

Overload	Yes, active when loading is over 110~120% Output Voltage drops if overloaded
Short Circuit	Yes, hiccup mode, recovers automatically after fault condition is removed

**Safety**

Safety Standard	EN 61347-2-13
Withstand Voltage	I/P-O/P: 2500VAC/1min/<5mA
Isolation Resistance	I/P-O/P: >100M Ohms / 500VDC /25°C / 70%RH

**Packaging Information**

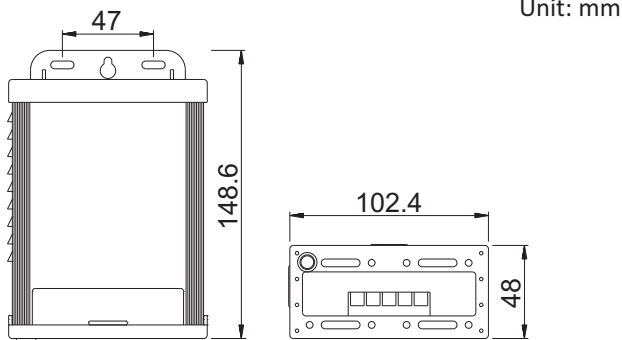
Product Dimension	148.6*102.4*48mm
Products Net Weight	300G
PCS/Carton(QTY)	20 PCS
Master Carton Size	34*29.5*24cm
G. Weight/ Carton	7KG

**Installation Tips:**

- Please identify the power supply's input and output before installation.
- Ensure correct output + & - wire connection.  
Power on after wire connection is done.
- To avoid voltage drop and loading capacity wasting on the output extension wire, please install the power supply to the loading as near as possible, if must use long extension wires, thicker wires and less loading wattage is required.
- The power supply to be installed at good ventilation and cooling environment.

The power behind your lights

## Physical Drawing



### Brief Information

Powermax™  
Technology Inside

# 60W

Waterproof Power Supply (C.V.)

Model JLV-12060KB

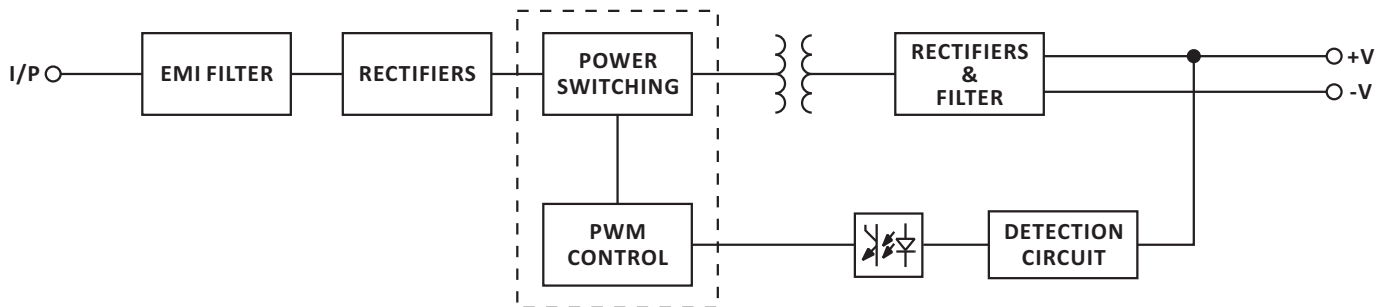
Input 170~250V AC

Output 12V DC 5A 60W

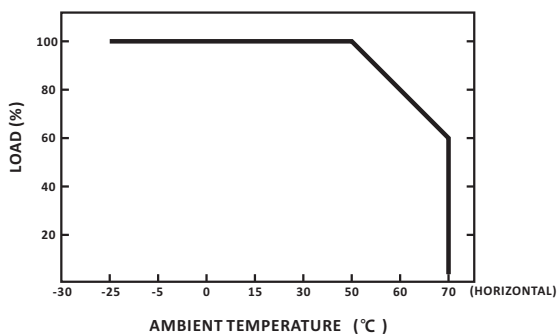
Input & Output:  
HB-825-5 Screw Terminals With Cover  
inflamming retarding

Housing: Aluminium

## Block Diagram



## Derating Curve



## Static Characteristics

