

The power behind your lights



Model: JLV-12030KA-USize: 207*36.6*25mm



Brief Information

30W

Waterproof Power Supply (C.V.)

Model JLV-12030KA-U

Input 100~240V AC

Output 12V DC 2.5A 30W

Product Features

- UL listed (US & Canada)
- High transfer efficiency
- Stable constant voltage output
- IP67, both indoor & outdoor use suitable
- 100% full loading, 100% burn-in tested
- Overload/short circuit protection

MAIN ELECTRICAL DATA

AC Input

Input Voltage	100~240V
Input Frequency	50/60Hz
Efficiency (Typ.)	80%
Input Current	230V: 0. 3A <small>max.</small>
Inrush Current	40A
Leakage Current	3mA/230VAC

DC Output

Output Voltage	12V
Rated Current	2.5A
Rated Power	30W
Ripple & Noise (Max.)	<100mVp-p
Setup, Rise Time	1500ms/230VAC
Line Regulation	1%
Load Regulation	1%

Service Environment

Working Temp.	-20°C~50°C
Working Humidity	20~95%RH
Storage Temp.	-40°C~80°C
Storage Humidity	10~95%RH

Packaging Information

Product Dimension	207*36. 6*25mm
Products Net Weight	320G
PCS/Carton(QTY)	50 PCS
Master Carton Size	40*24*23cm
G. Weight/ Carton	20KG

Protection

Overload	Yes, active when output >XA, Output Voltage drops if overloaded
Short Circuit	Yes, hiccup mode, recovers automatically after fault condition is removed

Safety

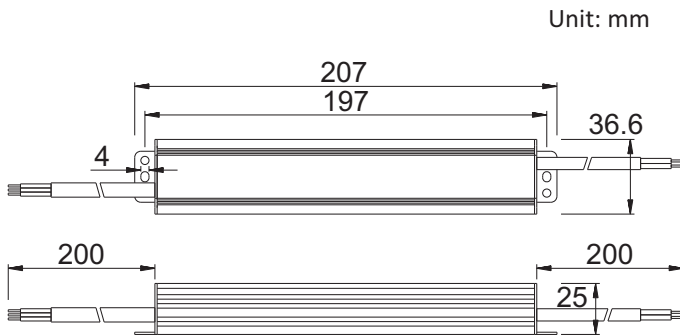
Safety Standard	EN 61347-2-13
Withstand Voltage	I/P-O/P: 3000VAC/1min/<5mA
Isolation Resistance	I/P-O/P: >100M Ohms / 500VDC /25°C / 70%RH

Installation Tips:

- Please identify the power supply's input and output before installation.
- Ensure correct output + & - wire connection.
Power on after wire connection is done.
- To avoid voltage drop and loading capacity wasting on the output extension wire, please install the power supply to the loading as near as possible, if must use long extension wires, thicker wires and less loading wattage is required.
- The power supply to be installed at good ventilation and cooling environment.

The power behind your lights

Physical Drawing



Brief Information

30W

Waterproof Power Supply (C.V.)

Model JLV-12030KA-U

Input 100~240V AC

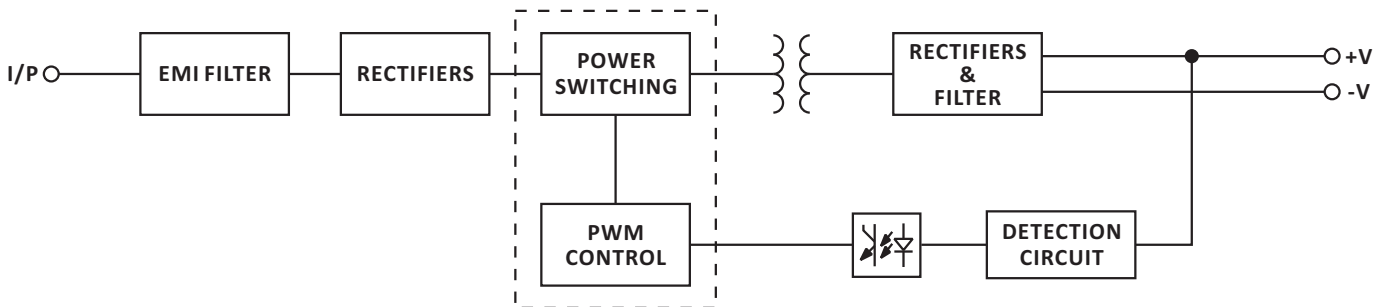
Output 12V DC 2.5A 30W

Input: 18AWG*3C, Black L, White N
200mm length

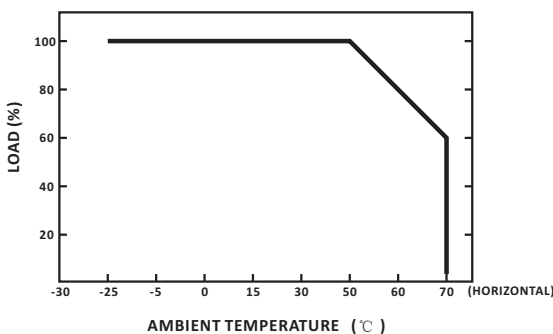
Output: 18AWG*2C White +, Black -
200mm length

Housing: Aluminium

Block Diagram



Derating Curve



Static Characteristics

