

The power behind your lights



Model: JLV-12040KA Size: 232\*37\*21mm



**Brief Information**

*Powermax*<sup>TM</sup>  
Technology Inside

**40W**

**Waterproof Power Supply (C.V.)**

Model JLV-12040KA / JLV-24040KA

Input 170~250V AC

Output 12VDC 3.33A 40W / 24VDC 1.67A 40W

**Product Features**

- Compact size, easy for installation
- High transfer efficiency
- Wide input range
- Stable constant voltage output
- IP67, both indoor & outdoor use suitable
- 100% full loading, 100% burn-in tested
- Overload/short circuit protection

**MAIN ELECTRICAL DATA**

**AC Input**

Input Voltage	170~250V
Input Frequency	50/60Hz
Efficiency (Typ.)	80%
Input Current	230V: 0.36A max. 110V: 0.72A max.
Inrush Current	40A
Leakage Current	3mA/230VAC

**DC Output**

Output Voltage	12V	24V
Rated Current	3.33A	1.67A
Rated Power	40W	40W
Ripple & Noise (Max.)	<100mVp-p	<100mVp-p
Setup, Rise Time	1500ms/230VAC	1500ms/230VAC
Line Regulation	1%	1%
Load Regulation	1%	1%

**Service Environment**

Working Temp.	-30°C~50°C
Working Humidity	20~95%RH
Storage Temp.	-40°C~80°C
Storage Humidity	15~95%RH

**Packaging Information**

Product Dimension	232*37*21mm
Products Net Weight	340G
PCS/Carton(QTY)	50 PCS
Master Carton Size	40*27*23cm
G. Weight/ Carton	20KG

**Protection**

Overload	Yes, active when loading is over 110~120% Output Voltage drops if overloaded
Short Circuit	Yes, hiccup mode, recovers automatically after fault condition is removed

**Safety**

Safety Standard	EN 61347-2-13
Withstand Voltage	I/P-O/P: 3750VAC/1min/<5mA
Isolation Resistance	I/P-O/P: >100M Ohms / 500VDC /25°C / 70%RH

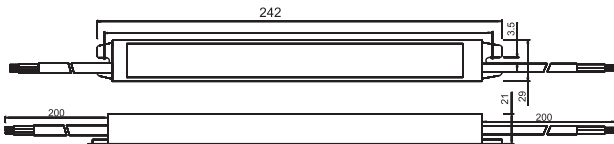
**Installation Tips:**

- Please identify the power supply's input and output before installation.
- Ensure correct output + & - wire connection.  
Power on after wire connection is done.
- To avoid voltage drop and loading capacity wasting on the output extension wire, please install the power supply to the loading as near as possible, if must use long extension wires, thicker wires and less loading wattage is required.
- The power supply to be installed at good ventilation and cooling environment.

The power behind your lights

## Physical Drawing

Unit: mm



### Brief Information

Powermax™  
Technology Inside

# 40W

**Waterproof Power Supply (C.V.)**

Model JLV-12040KA / JLV-24040KA

Input 170~250V AC

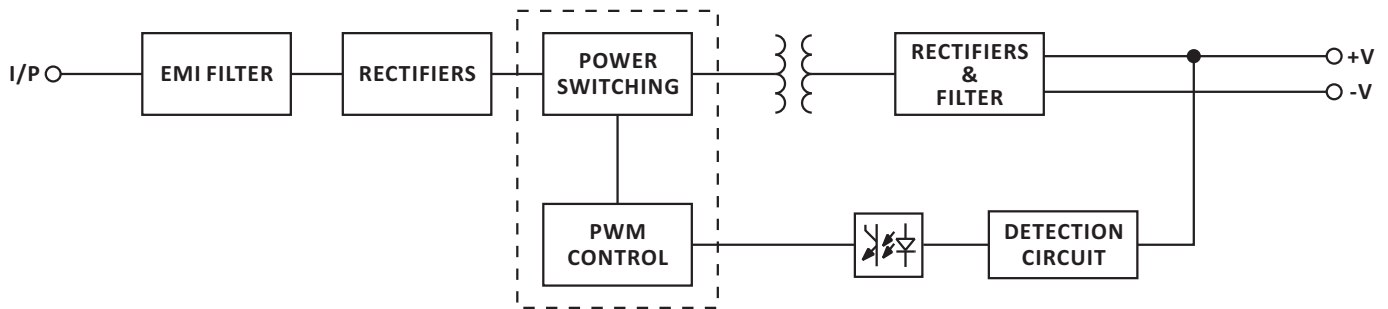
Output 12VDC 3.33A 40W / 24VDC 1.67A 40W

Input: 3x0.75mm<sup>2</sup> wire, Brown L, Blue N  
200mm length

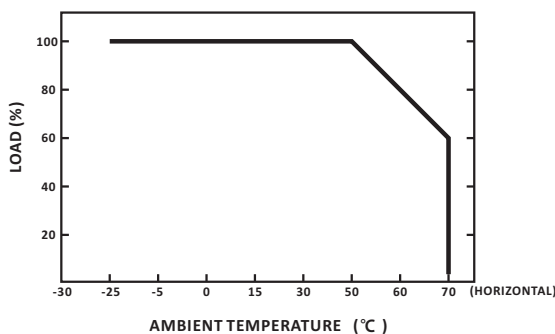
Output: 2x0.75mm<sup>2</sup> wire, Red +, Black -  
200mm length

Housing: Aluminium

## Block Diagram



## Derating Curve



## Static Characteristics

