

The power behind your lights



Model: JLV-12100PA (12V) Size: 190*52*37mm
JLV-24100PA (24V)



Brief Information

LPV Series

100W

Waterproof Power Supply (C.V.)

Model JLV-12100PA / JLV-24100PA

Input 100-250V AC

Output 12VDC 8.33A 100W/ 24VDC 4.16A 100W

Product Features

- Plastic housing, LPV standard
- High transfer efficiency
- Stable constant voltage output
- IP67, for both indoor & outdoor
- 100% full loading, 100% burn-in tested
- Overload/short circuit protection

MAIN ELECTRICAL DATA

AC Input

Input Voltage	100-250V
Input Frequency	50/60Hz
Efficiency (Typ.)	84%
Input Current Max.	230V: 0.76A 120V: 1.6A
Inrush Current	40A
Leakage Current	5mA/230VAC

DC Output

Output Voltage	12V	24V
Rated Current	8.33A	4.16A
Rated Power	100W	100W
Ripple & Noise (Max.)	<100mVp-p	<100mVp-p
Setup, Rise Time	1500ms/230VAC	1500ms/230VAC
Line Regulation	1%	1%
Load Regulation	2%	2%

Service Environment

Working Temp.	-25°C~50°C
Working Humidity	20~98%RH
Storage Temp.	-40°C~80°C
Storage Humidity	10~98%RH

Protection

Overload	Yes, cut-off mode, output shuts down if over-loaded
Short Circuit	Yes, hiccup mode, recovers automatically after fault condition is removed

Safety

Safety Standard	EN 61347-2-13
Withstand Voltage	I/P-O/P: 3000VAC
Isolation Resistance	I/P-O/P: >100M Ohms / 500VDC /25°C / 70%RH

Packaging Information

Product Dimension	190*52*37mm
Products Net Weight	640G
PCS/Carton(QTY)	20 PCS
Master Carton Size	35*25*18cm
G. Weight/ Carton	14KG

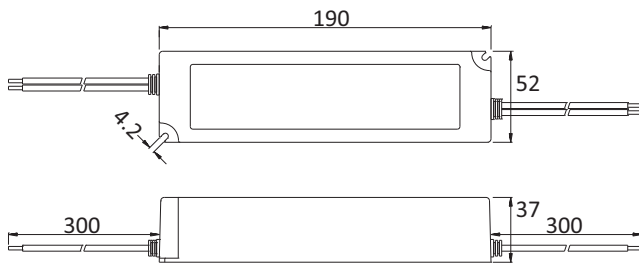
Installation Tips:

- Please identify the power supply's input and output before installation.
- Ensure correct output + & - wire connection.
Power on after wire connection is done.
- To avoid voltage drop and loading capacity wasting on the output extension wire, please install the power supply to the loading as near as possible, if must use long extension wires, thicker wires and less loading wattage is required.
- The power supply to be installed at good ventilation and cooling environment.

The power behind your lights

Physical Drawing

Unit: mm



Brief Information

LPV Series

100W

Waterproof Power Supply (C.V.)

Model JLV-12100PA / JLV-24100PA

Input 100-250V AC

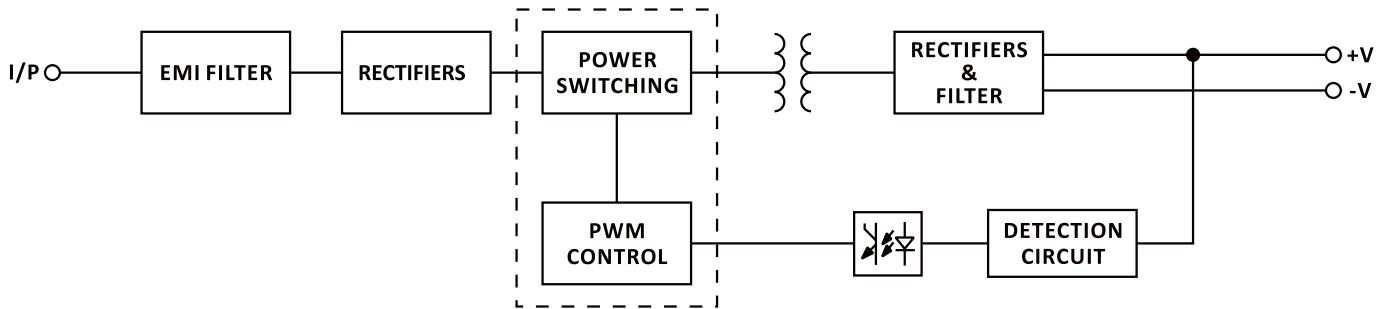
Output 12VDC 8.33A 100W / 24VDC 4.16A 100W

Input: 2x20AWG, wire, Brown L, Blue N
300mm length

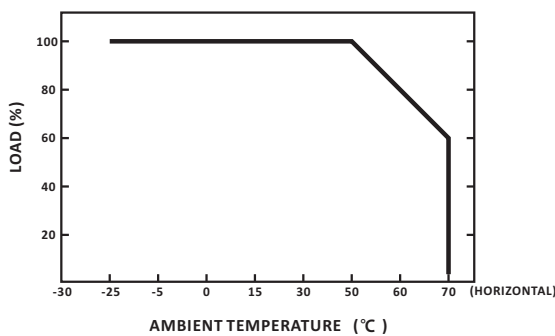
Output: 2x18AWG wire, Red +, Black -
300mm length

Housing: Plastic (ABS)

Block Diagram



Derating Curve



Static Characteristics

