

JLI-90350KA 30~90VDC 350mA Constant Current



Size: 222*29*21mm

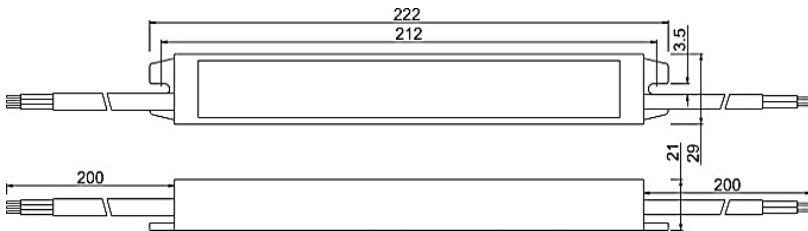
Features:

1. Compact size, aluminium housing
2. High efficiency professional IC for LED
3. Wide input range 170V~250VAC or 240~350VDC
4. Stable constant voltage output
5. Waterproof IP67
6. 100% burn-in tested
7. Super cooling design, long life span
8. Overload/short circuit protection
9. Proven reliable quality

Model		JLI-90350KA
OUTPUT	RATED CURRENT	350mA
	DC VOLTAGE RANGE	30~90V
	RATED POWER	31W
	RIPPLE & NOISE (NOTE.2)	<500mV
	AMPERE TOLERANCE	±10%
	LINE REGULATION	±1%
	LOAD REGULATION	±1%
INPUT	INPUT VOLTAGE RANGE	170V~250VAC or 240~350VDC
	INRUSH CURRENT	40A
	INPUT FREQUENCY RANGE	47~63HZ
	EFFICIENCY (TYP)	>86%
	AC CURRENT	Max. 0.3A@230V
	LEAKAGE CURRENT	3mA
PROTECTION	OVER VOLTAGE	94V
	OVER CURRENT PROTECTION TYPE	Hiccup mode, recovers automatically after fault condition is removed
	SHORT CIRCUIT PROTECTION TYPE	Hiccup mode, recovers automatically after fault condition is removed.
	OVER TEMPERATURE	TC> 85°C
	PROTECTION TYPE	Protection type : Shut down o/p ampere, recovers automatically after temperature goes down
ENVIRONMENT	WORKING TEMPERATURE	-30°C ~ 50°C
	WORKING HUMIDITY	10~99%RH
	STORAGE TEMP., HUMIDITY	-30°C~70°C
	TEMP. COEFFICIENT	±0.03%/°C (0~50°)
	VIBRATION	10 ~ 500Hz, 2G 12min./1cycle, period for 72min. each along X, Y, Z axes
SAFETY & EMC	SAFETY STANDARDS	EN61347-1:2000/EN61347-2:2006
	WITHSTAND VOLTAGE	I/P-O/P:3.75KVAC I/P-FG:1.88KVAC O/P-FG:0.5KVAC
	ISOLATION RESISTANCE	I/P-O/P:100M Ohms/500VDC/25°C/70%RH
	EMI CONDUCTION & RADIATION	EN55015,Class B
	HARMONIC CURRENT	Compliance to EN61000-3-2 Class C (75% load) ; EN61000-3-3
	EMS IMMUNITY	Compliance to EN61000-4-2,3,4,5,6,8,11; ENV50204, EN55024,EN61547, light industry level, criteria A
OTHERS	DIMENSION(L*W*H)	222*29*21mm
	PACKAGING	250g/pc, 50pcs/carton
Notes	1. All parameters NOT specially mentioned are measured at 230VAC input, rated load and 25 of ambient temperature. 2. Ripple & noise are measured at 20MHz of bandwidth by using a 12" twisted pair-wire terminated with a 0.1uf & 47uf parallel capacitor. 3. Tolerance : includes set up tolerance, line regulation and load regulation. 4. For LED related applications, constant current operation region is within 70% ~100% rated output voltage, but please reconfirm special electrical requirements for some specific system design.	

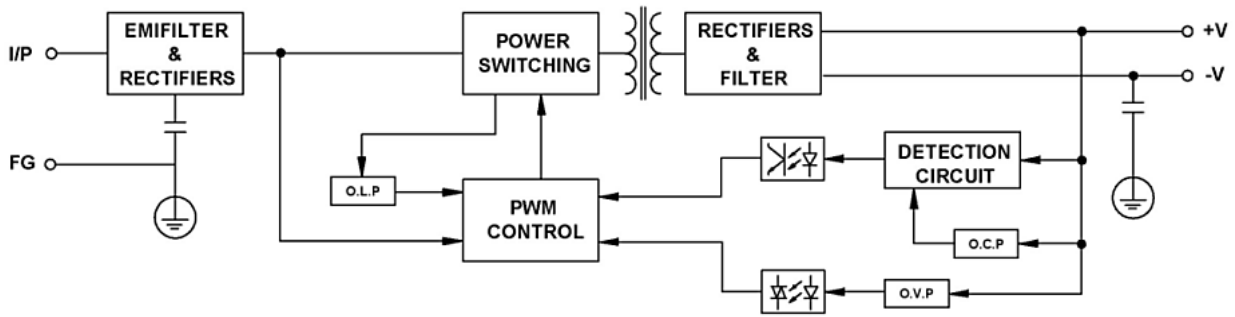
Mechanical Specification

Unit: mm



Model: JLI-90350KA
Constant Current 30~90V 350mA 31W

Block Diagram



Derating Curve (left) & Static Characteristics (right)

